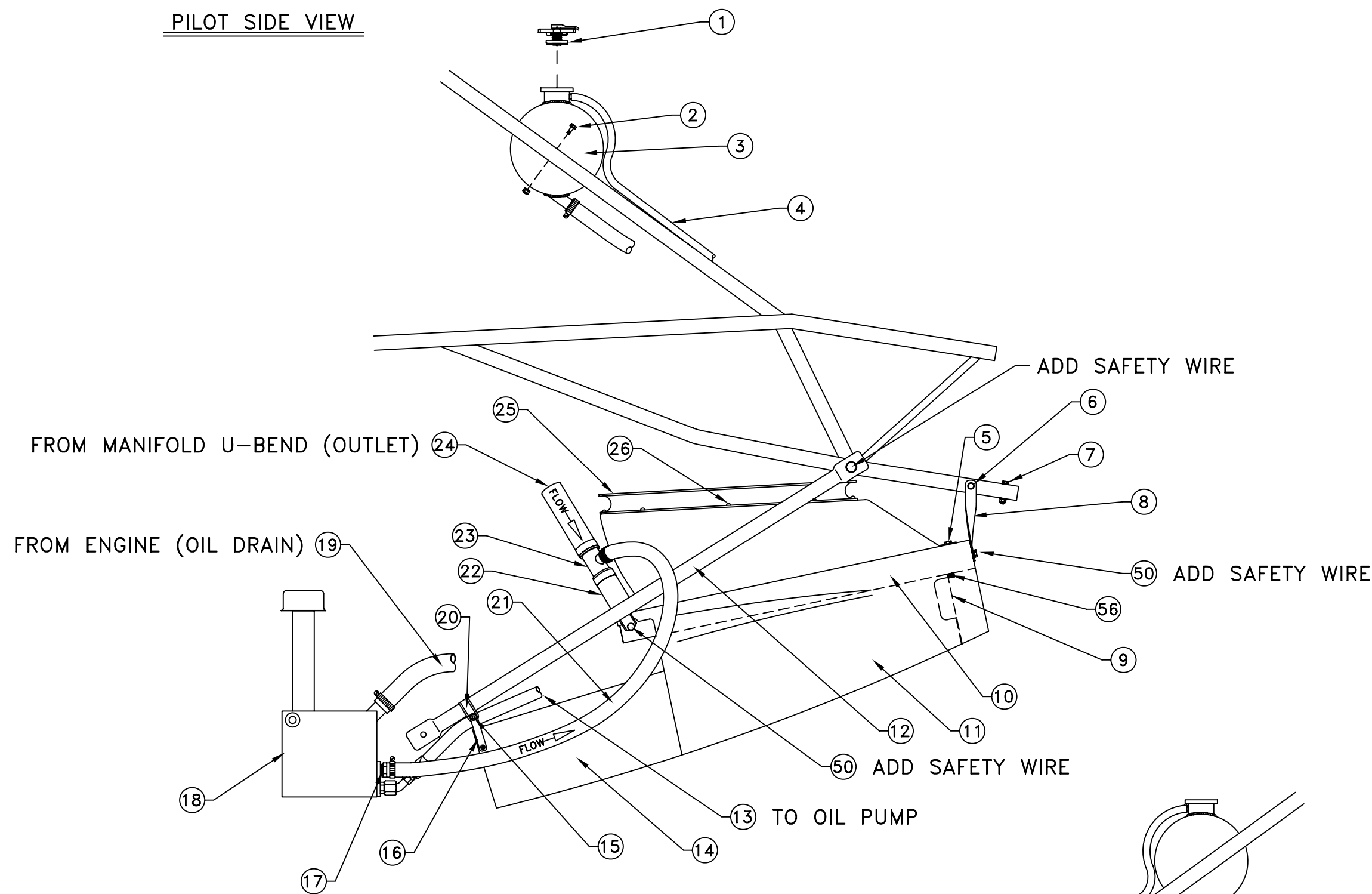
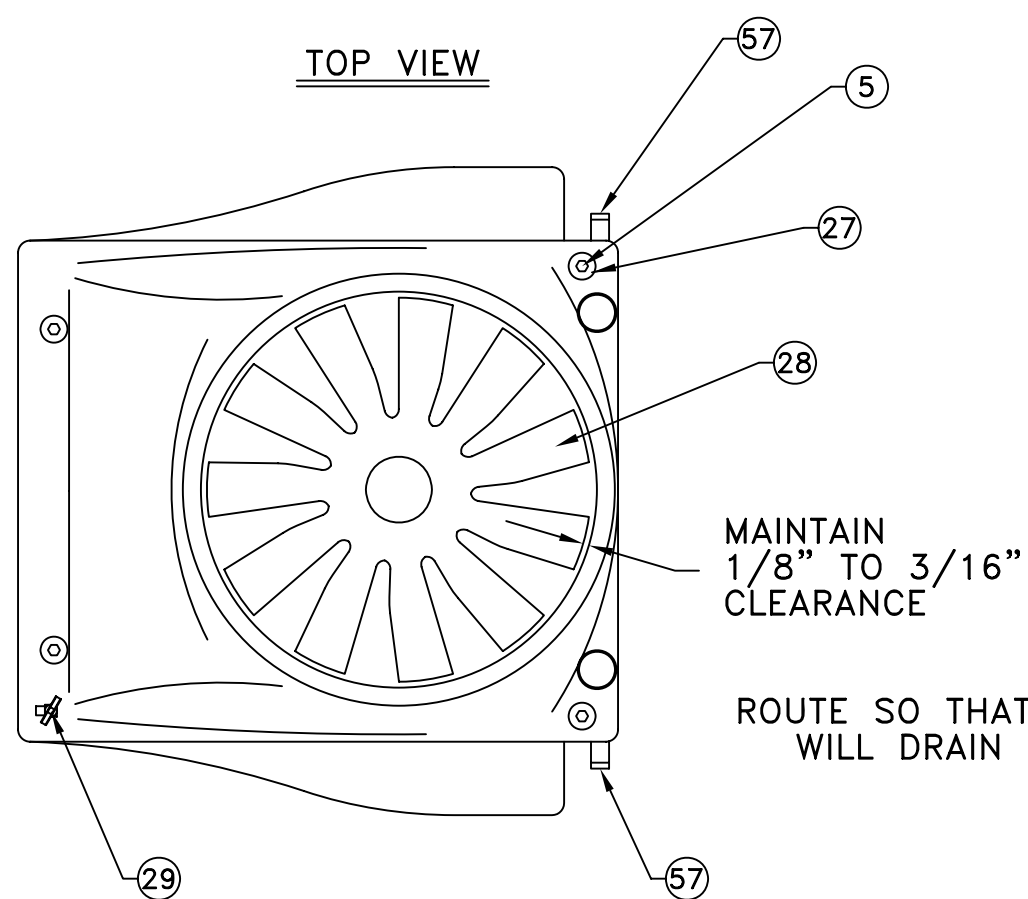


PILOT SIDE VIEW

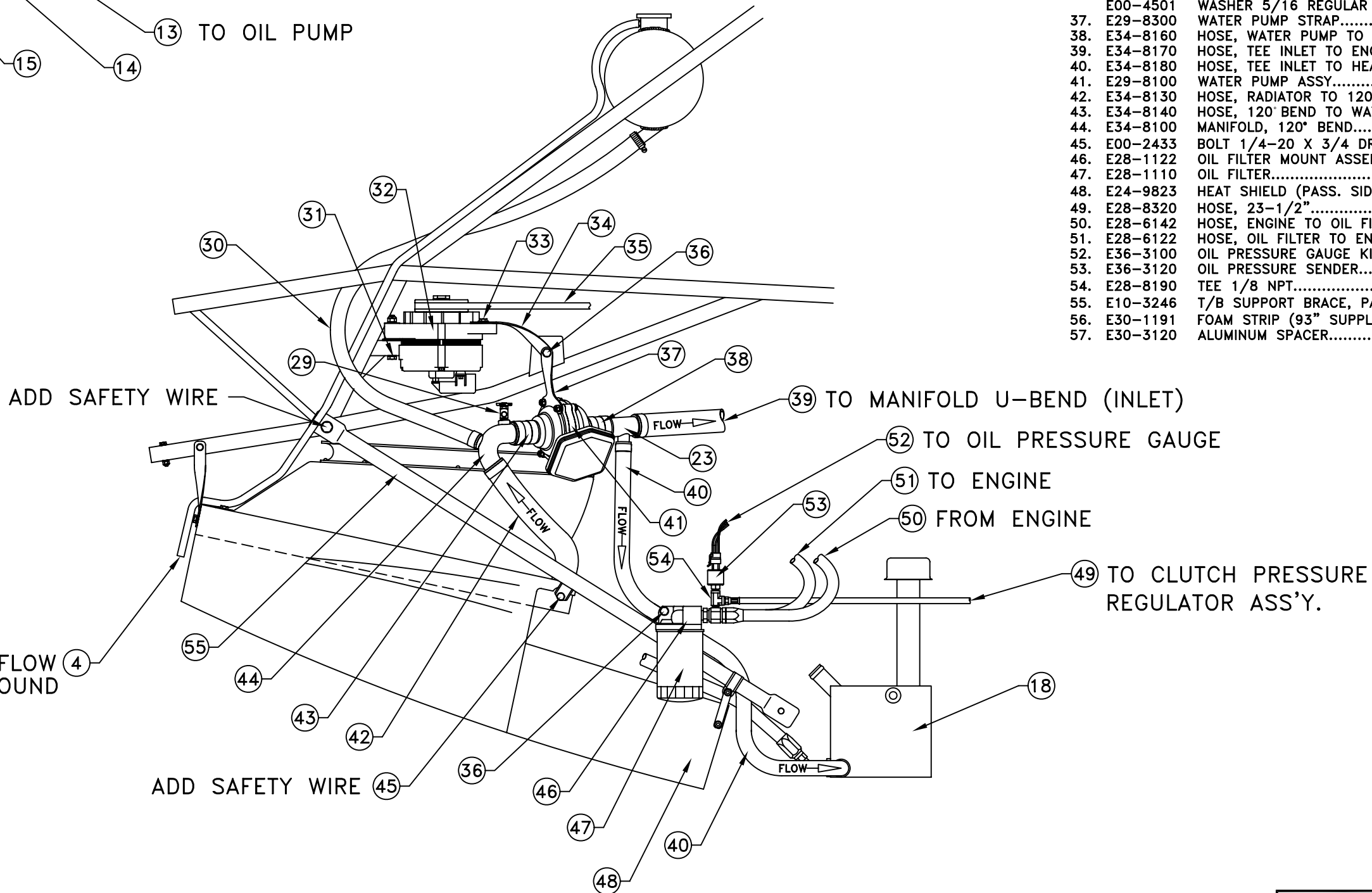


TOP VIEW



ADD SAFETY WIRE

PASSENGER SIDE VIEW



REF. NO.	PART NO.	PART NAME	QTY.
1.	E34-1180	RADIATOR CAP.....	1
2.	E00-2301	BOLT AN3-5A (3/16 X 5/8).....	14
	E00-3301	NUT 3/16 FIBERLOCK AN365-1032A.....	14
	E00-4301	WASHER 3/16 REGULAR AN960-10.....	28
3.	E34-4900	SURGE TANK.....	1
4.	E34-1150	OVERFLOW HOSE.....	1
5.	E00-2424	BOLT (1/4-20 X 5/8) MS90725-5.....	4
6.	E00-2308	BOLT 3/16 X 1-5/8.....	2
	E00-3301	NUT 3/16 FIBERLOCK AN365-1032A.....	2
	E00-4301	WASHER 3/16 REGULAR AN960-10.....	4
7.	E00-2307	BOLT 3/16 X 1-3/8.....	6
	E00-3301	NUT 3/16 FIBERLOCK AN365-1032A.....	6
	E00-4301	WASHER 3/16 REGULAR AN960-10.....	12
8.	E30-7190	RADIATOR MTG. BKT. REAR.....	2
9.	E30-3161	RADIATOR REAR SHIELD.....	1
10.	E30-1161	RADIATOR ASSEMBLY.....	1
11.	E30-7150	FAN SHROUD.....	1
12.	E10-3241	TAIL BOOM SUPPORT BRACE, PILOT.....	1
13.	E28-6112	HOSE-OIL SUMP TO OIL PUMP.....	1
14.	E24-9822	HEAT SHIELD (PILOT SIDE).....	1
15.	E00-2300	BOLT AN3-4A (3/16 X 1/2).....	2
	E00-3301	NUT 3/16 FIBERLOCK AN365-1032A.....	2
	E00-4301	WASHER 3/16 REGULAR AN960-10.....	4
16.	E30-6130	STRAP .125 OR .050 ALUM.(USE SCRAP)....	2
17.	E28-7170	FITTING.....	2
18.	E28-7150	OIL SUMP/HEAT EXCHANGER.....	1
19.	E28-1231	HOSE-ENGINE DRAIN TO SUMP.....	1
20.	E00-9115	ADEL CLAMP 1".....	14
21.	E34-8200	HOSE, HEAT EXCHANGER TO TEE OUTLET....	1
22.	E34-8210	HOSE, TEE OUTLET TO RADIATOR.....	1
23.	E34-8110	WATER TEE.....	2
24.	E34-8190	HOSE, ENGINE TO TEE OUTLET.....	1
25.	E30-7160	FAN SHROUD RING.....	1
26.	E00-6206	1/8 X 1/4 ALUM. POP RIVET.....	8
27.	E00-4403	WASHER 1/4 FENDER AN970-4.....	4
28.	E23-7141	COOLING FAN.....	1
29.	E29-6010	AIR BLEED VALVE.....	2
30.	E34-8150	HOSE, 120° BEND TO SURGE TANK.....	1
31.	E00-2521	BOLT AN5-25A (5/16 X 2-5/8).....	1
	E00-3500	NUT 5/16-24 FIBERLOCK AN365-524A.....	1
	E00-4501	WASHER 5/16 REGULAR AN960-516.....	2
	E00-4700	WASHER 1/2 REGULAR.....AS NEEDED	
32.	E42-1040	ALTERNATOR ASSY W/REGULATOR.....	1
33.	E00-2503	BOLT 5/16 X 5/8 MS20074-0505.....	1
	E00-4502	WASHER 5/16 LARGE MS15795-11.....	1
34.	E42-3103	ALTERNATOR STRAP.....	1
35.	E42-1310	ALTERNATOR BELT.....	1
36.	E00-2505	BOLT AN5-7A (5/16 X 7/8).....	3
	E00-3500	NUT 5/16-24 FIBERLOCK AN365-524A.....	3
	E00-4501	WASHER 5/16 REGULAR AN960-516.....	6
37.	E29-8300	WATER PUMP STRAP.....	1
38.	E34-8160	HOSE, WATER PUMP TO TEE INLET.....	1
39.	E34-8170	HOSE, TEE INLET TO ENGINE.....	1
40.	E34-8180	HOSE, TEE INLET TO HEAT EXCHANGER.....	1
41.	E29-8100	WATER PUMP ASSY.....	1
42.	E34-8130	HOSE, RADIATOR TO 120° BEND.....	1
43.	E34-8140	HOSE, 120° BEND TO WATER PUMP.....	1
44.	E34-8100	MANIFOLD, 120° BEND.....	1
45.	E00-2433	BOLT 1/4-20 X 3/4 DRILLED HEAD.....	2
46.	E28-1122	OIL FILTER MOUNT ASSEMBLY.....	1
47.	E28-1110	OIL FILTER.....	1
48.	E24-9823	HEAT SHIELD (PASS. SIDE).....	1
49.	E28-8320	HOSE, 23-1/2".....	1
50.	E28-6142	HOSE, ENGINE TO OIL FILTER.....	1
51.	E28-6122	HOSE, OIL FILTER TO ENG.....	1
52.	E36-3100	OIL PRESSURE GAUGE KIT.....	1
53.	E36-3120	OIL PRESSURE SENDER.....	1
54.	E28-8190	TEE 1/8 NPT.....	1
55.	E10-3246	T/B SUPPORT BRACE, PASS.....	1
56.	E30-1191	FOAM STRIP (93" SUPPLIED).....	1
57.	E30-3120	ALUMINUM SPACER.....	2

ROTORWAY INTERNATIONAL			
CHANDLER, ARIZONA			
SCALE: NONE	APPROVED BY:	DRAWN BY: WAR	
DATE: 2-12-08		REVISED: 5-27-08	
FAN SHROUD, RADIATOR, OIL COOLER			
MODEL: A600 TALON	DRAWING NUMBER:		E30-2000